



# MOTOTRAC - SHADE SYSTEM

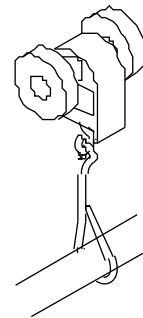
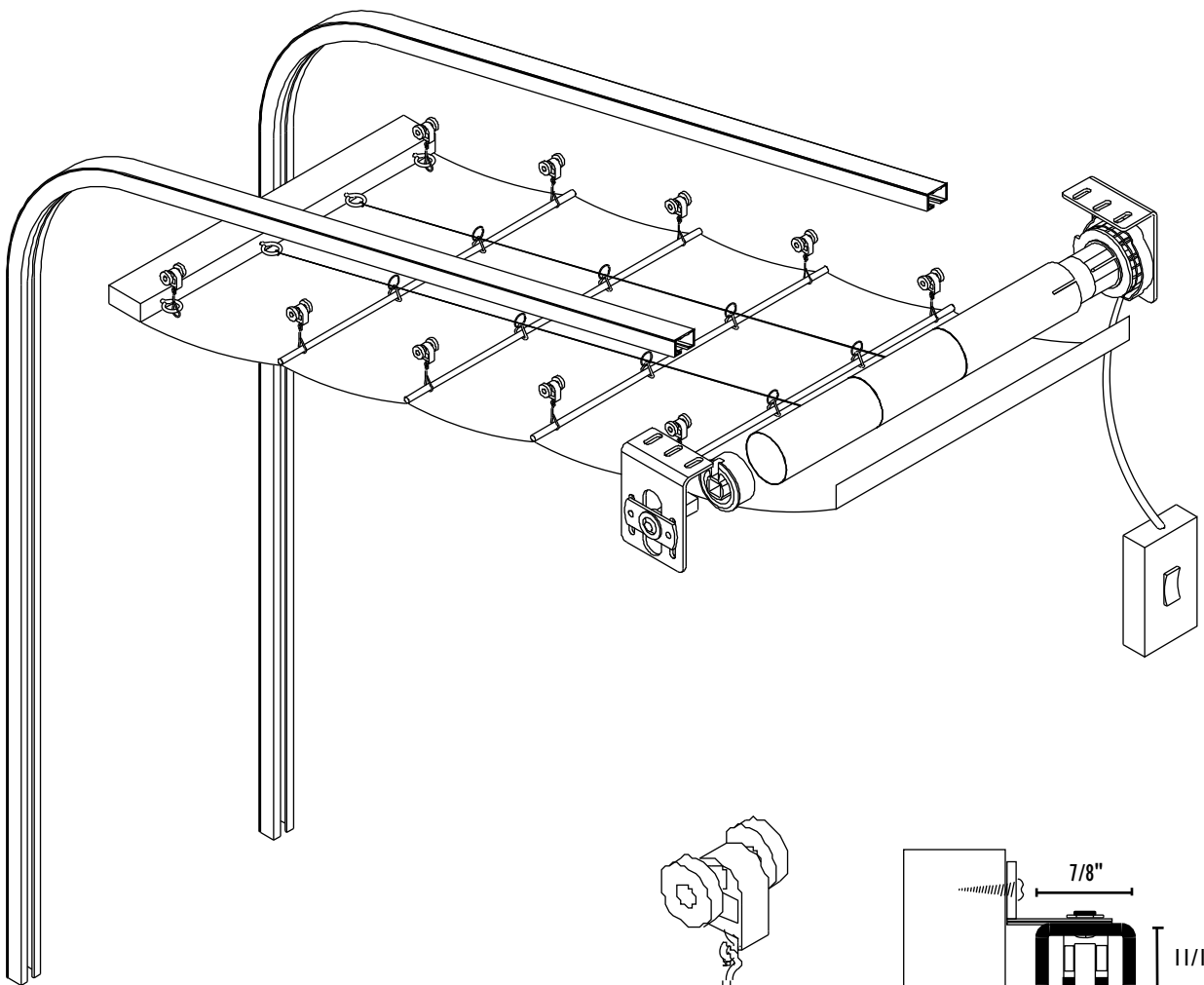
## MOTOTRAC SHADES - QUICK FACTS

MAX WIDTH IS 40", WITHOUT A CENTER SUPPORT TRACK

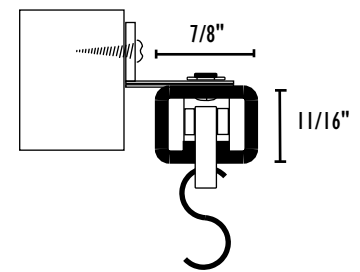
USED FOR OVERHEAD VERTICAL AND CURVED SURFACES

SHADE STACKS ROMAN STYLE AS THEY RETRACT

FULLY MOTORIZED SYSTEM WITH ALL OPTIONS AVAILABLE



Carrier Detail



Mounting Detail

